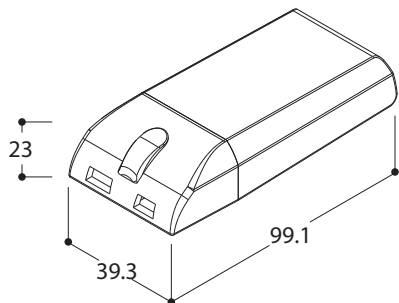


ref	930561
name	POWERLED CONVERTOR 12W 350/700mA MAINS DIMM C



! Always disconnect the mains of the converter before plugging or unplugging the LEDs !

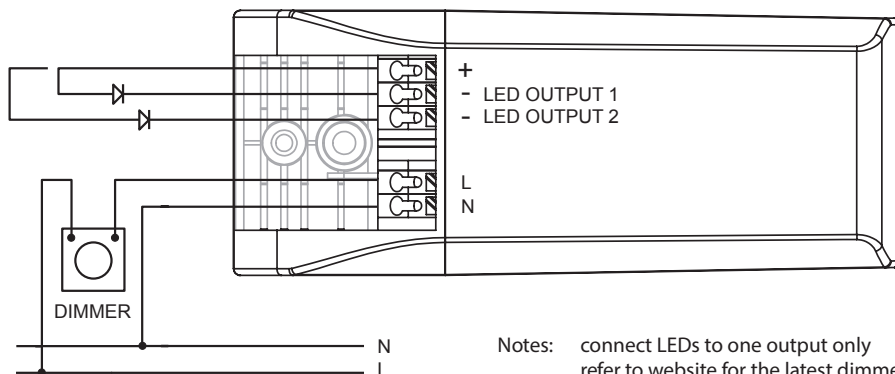
Technical data

Rated supply voltage	230 - 240 Vac
Input voltage	230 - 240 Vac
Mains frequency	50 / 60 Hz
Output current tolerance	5 %
Power factor at full load	0.9
Nominal line current at 240 Vac	70 mA / 65 mA / 68 mA
Dimming method	trailing edge
Minimum dim level	subject to dimmer used
Output voltage setting time	1 second
Output isolation	SELV
Surge protection (diff/comm)	2 kV / 6 kV
IP Classification	IP 20
Circuit lifetime	50,000 hrs at Tc max.
Case dimensions	99 x 39 x 23 mm

Maximum number of drivers on automatic circuit breakers (excluding dimmer loading)

Automatic circuit breaker type	C10	C13	C16	C20	B10	B13	B16	B20
930561	53	68	84	105	40	49	60	75

Wiring diagram



Notes: connect LEDs to one output only
 refer to website for the latest dimmer compatibility info

Efficiency at full load	Output current	Output voltage range	Open circuit voltage output	Max. output power	Dimming
70 %	350 mA	! 3 - 32 Vdc	32 Vdc	12 W	Mains, trailing edge
70 %	700 mA	! 3 - 17 Vdc	32 Vdc	12 W	Mains, trailing edge

Classifications

